

Round Storage Bottles

Product introduction:

Sterile and enzyme-free plastic reagent bottles, suitable for product packaging and storage requirements in molecular biology and cell biology, laboratory medicine, genomics and proteomics and other areas. Improvement of the quality of product packaging helps to improve the company image and brand value, lets your product packaging meet international standards and enter the international market.

Features

1. The raw materials, premium polypropylene (PP)/polyethylene (HDPE), have excellent physical and chemical indicators and very good pressure-resistance, impact-resistance and acid and alkali resistance. PP materials can undergo autoclave sterilization at 121°C ; HDPE can be stored at -80°C.
2. A full range of choices to meet different packaging and storage requirements.
3. Washing-free, no need for tedious pre-cleaning processing work, ready to use, greatly improves the packaging effect of users. Thickened middle packaging to ensure transportation and storage safety.
4. Use of professional leaking-proof design for bottle mouth, with no need for inner cover or inner gasket for protection, excellent sealability. Guarantee of being 100% leaking-proof to ensure safety even during air transportation; wide-mouthed design for easy access of liquid.
5. No biotoxicity, pyrogen-free, DNase/RNase-free, manufactured in a 100-thousand grade clean plant. The sterile plastic bottles are sterilized by E-beam, SAL=10⁻⁶.
6. Introduction of imported digital-controlled production equipment with high precision; the products have fine details and comfortable touch, the body walls of which are even with high gloss, with no color difference; high uniformity between different batches.
7. With respect to the process, high-class molding technologies and surface processing technologies are used, leading to smooth interior and exterior surfaces of the plastic bottles without wicking effect of reagents, subsequently significantly reducing sample wastage; the products have high interchangeability with imported ones, can be used to replace the imported ones.

NEST China	Tel	: +86-510-6800 6788	NEST USA	Tel	: +1-732-381-0268
	Email	: info@nest-wuxi.com		Email	: sales@nestscientificusa.com
	Website	: www.cell-nest.com		Website	: www.nestscientificusa.com
	Add	: No. 530, Xida Road, Meicun Industrial Park, Xinwu District, Wuxi, Jiangsu, China. 214112		Add	: 3 Convery Blvd, Unit 600, Woodbridge, NJ 07095, USA

Description

Shelf Life : 3 Years after date of production

Sterile : Yes

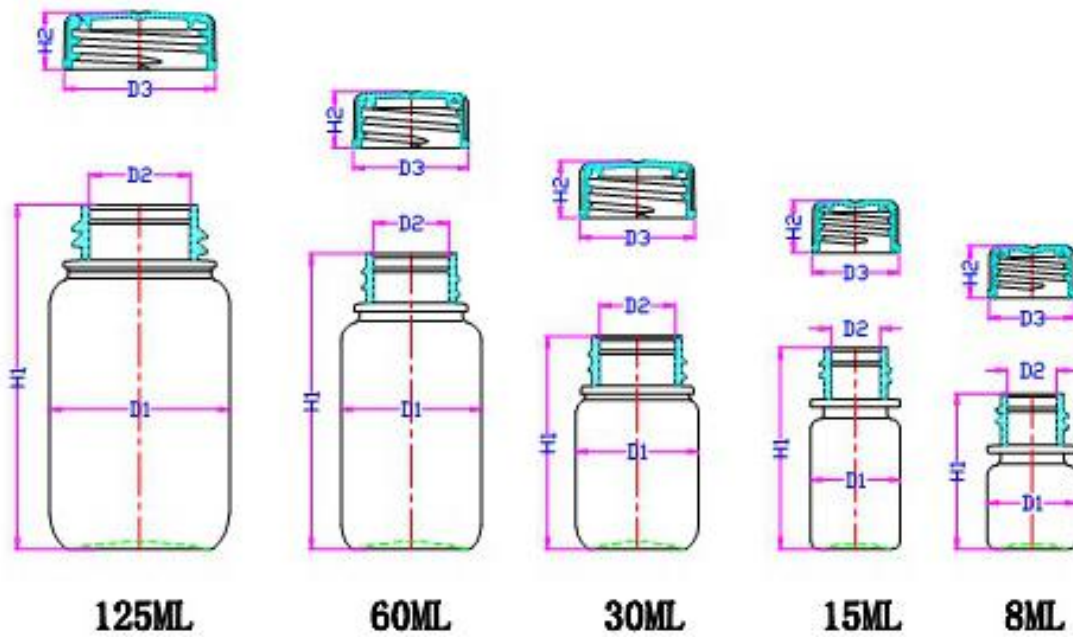
Product Range

Cat. No.	Volume(ml)	Material	Color	/Pack	/Case
335201	8	PP	amber	20	400
336201	15	PP	amber	20	400
337201	30	PP	amber	10	200
338201	60	PP	amber	10	200
339201	125	PP	amber	10	100
340201	250	PP	amber	10	100
341201	500	PP	amber	10	50
335101	8	HDPE	white	20	400
336101	15	HDPE	white	20	400
337101	30	HDPE	white	10	200
338101	60	HDPE	white	10	200
339101	125	HDPE	white	10	100
340101	250	HDPE	white	10	100
341101	500	HDPE	white	10	50

Technical Drawing

Volume	External Diameter of Bottle-D1(mm)	Bottle High-H1(mm)	Inner Diameter of Bottleneck-D2(mm)	External Diameter of Cap-D3(mm)	Cap High-H2(mm)
8 mL	Φ 24.8	43.3	Φ 13.8	Φ 24.2	14.5
15 mL	Φ 24.8	56.1	Φ 13.8	Φ 24.2	14.5
30 mL	Φ 34.1	59.3	Φ 21.0	Φ 32.2	15.8
60 mL	Φ 39.0	82.3	Φ 21.0	Φ 32.2	15.8
125 mL	Φ 50.0	95.7	Φ 28.0	Φ 42.2	16.0
250 mL	Φ 60.2	127.9	Φ 33.1	Φ 46.5	16.8
500 mL	Φ 73.2	163.3	Φ 43.7	Φ 57.5	17.3
1000 mL	Φ 92.0	194	Φ 43.7	Φ 57.5	17.3

NEST China	Tel	: +86-510-6800 6788	NEST USA	Tel	: +1-732-381-0268
	Email	: info@nest-wuxi.com		Email	: sales@nestscientificusa.com
	Website	: www.cell-nest.com		Website	: www.nestscientificusa.com
	Add	: No. 530, Xida Road, Meicun Industrial Park, Xinwu District, Wuxi, Jiangsu, China. 214112		Add	: 3 Convery Blvd, Unit 600, Woodbridge, NJ 07095, USA



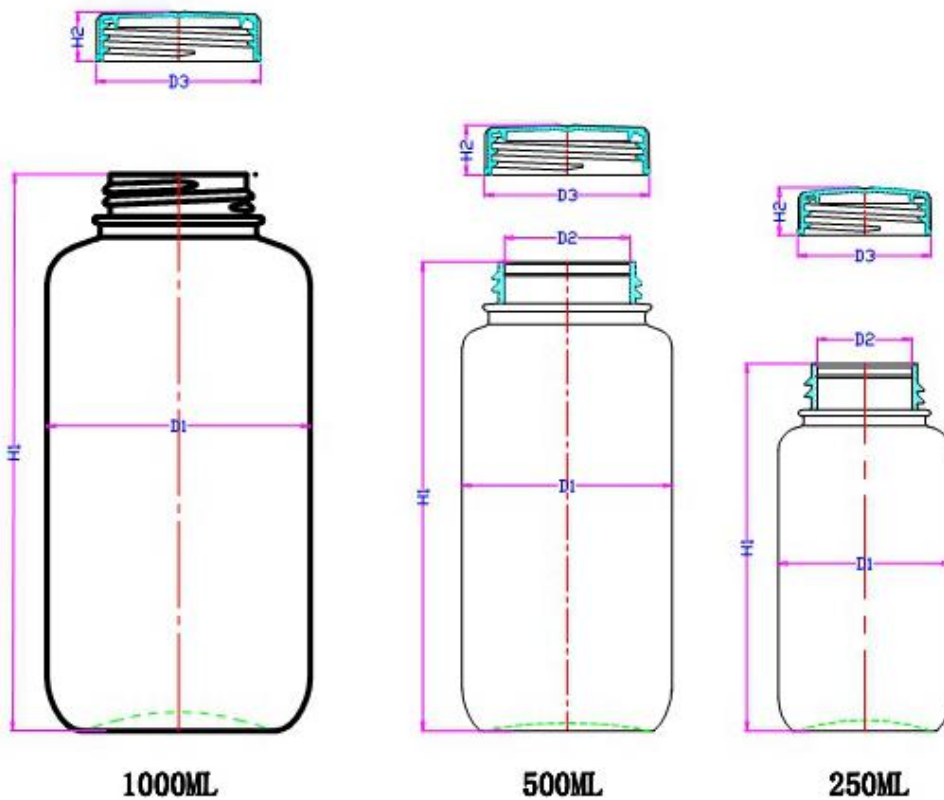
125ML

60ML

30ML

15ML

8ML



1000ML

500ML

250ML

NEST China	Tel	: +86-510-6800 6788	NEST USA	Tel	: +1-732-381-0268
	Email	: info@nest-wuxi.com		Email	: sales@nestscientificusa.com
	Website	: www.cell-nest.com		Website	: www.nestscientificusa.com
	Add	: No. 530, Xida Road, Meicun Industrial Park, Xinwu District, Wuxi, Jiangsu, China. 214112		Add	: 3 Convery Blvd, Unit 600, Woodbridge, NJ 07095, USA